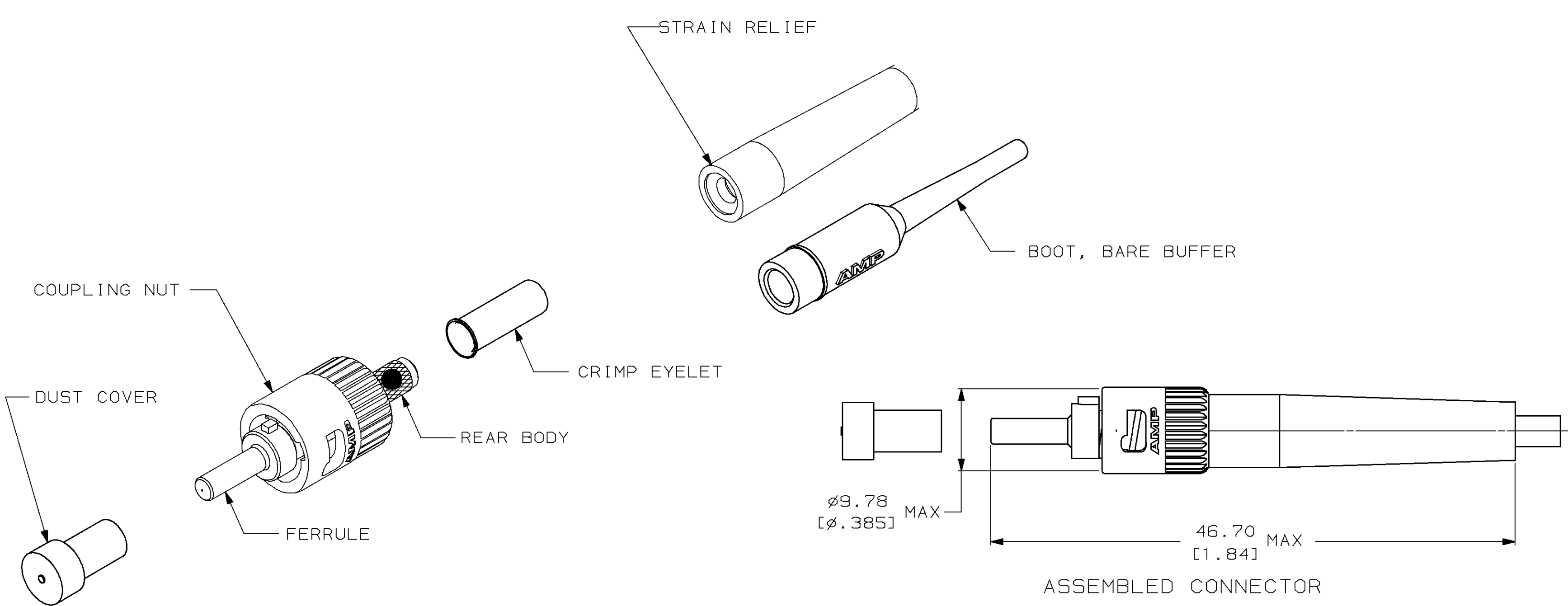


LOC	DIST	P	F	ZONE	LTR	REVISIONS	DATE	APPD
CE	16				E	REV PER 0A00-0317-98	16JUN98	JPM



1 MATERIAL:
 DUST COVER: POLYOLEFIN, COLOR, BLACK
 FERRULE: CERAMIC
 COUPLING NUT: ZINC
 REAR BODY: THERMOPLASTIC, COLOR, BLACK
 CRIMP EYELET: COPPER ALLOY

2 FINISH:
 CRIMP EYELET: TIN PLATE
 COUPLING NUT: NICKEL PLATED

3 STRAIN RELIEF: POLYOLEFIN, COLOR, BLACK

4 BARE BUFFER BOOT: THERMOPLASTIC ELASTOMER

5 BULK PACKAGED

5	BARE BUFFER BOOT	125±2µm	503677-3
5	STRN RELIEF W/EYELET	125±2µm	503677-2
5	STRN RELIEF W/EYELET	125±2µm	503677-1
	STRAIN RELIEF STYLE	FIBER SIZE	PART NUMBER

DO NOT SCALE PRINT. UNLESS SPECIFIED DIMENSIONS IN mm [INCHES] TOLERANCES ON:	DR 5-13-93 P YEAGER	AMP INCORPORATED Harrisburg, Pa. 17105	
2 PLC DEC ± —	CHK 5-13-93 S BUCHTER		
3 PLC DEC ± —	APPD 5-13-93 S BUCHTER	NAME	
ANGLES ± —	APPD 5-13-93 K MONROE	CONNECTOR KIT, BAYONET CERAMIC OVERMOLD	
MATERIAL	PRODUCT SPEC	SIZE	FSCM NO
1 3 4 6		C	00779
FINISH	APPLICATION SPEC	DRAWING NO	503677
2		SCALE	NTS
	WEIGHT	SHEET	1 OF 1

METRIC